

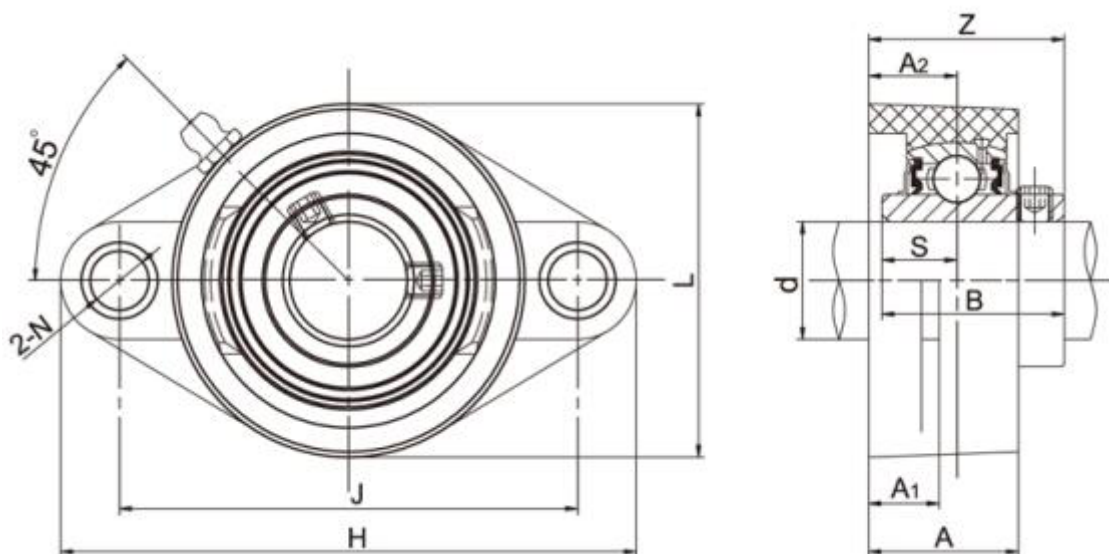
# Data Sheet



Article number: 54810642062

Description: 2 hole Flange Unit TP-SUCFL206 for shaft  $\varnothing 30\text{mm}$   
Insert stainless steel, housing Thermoplastic white

## Measures



A = 31	L = 80
A1 = 14	N = 11
A2 = 19	S = 15.9
B = 38.1	Z = 41.2
Bolt = M10	
d = 30	
H = 148	
J = 117	